

# MITSUBISHI

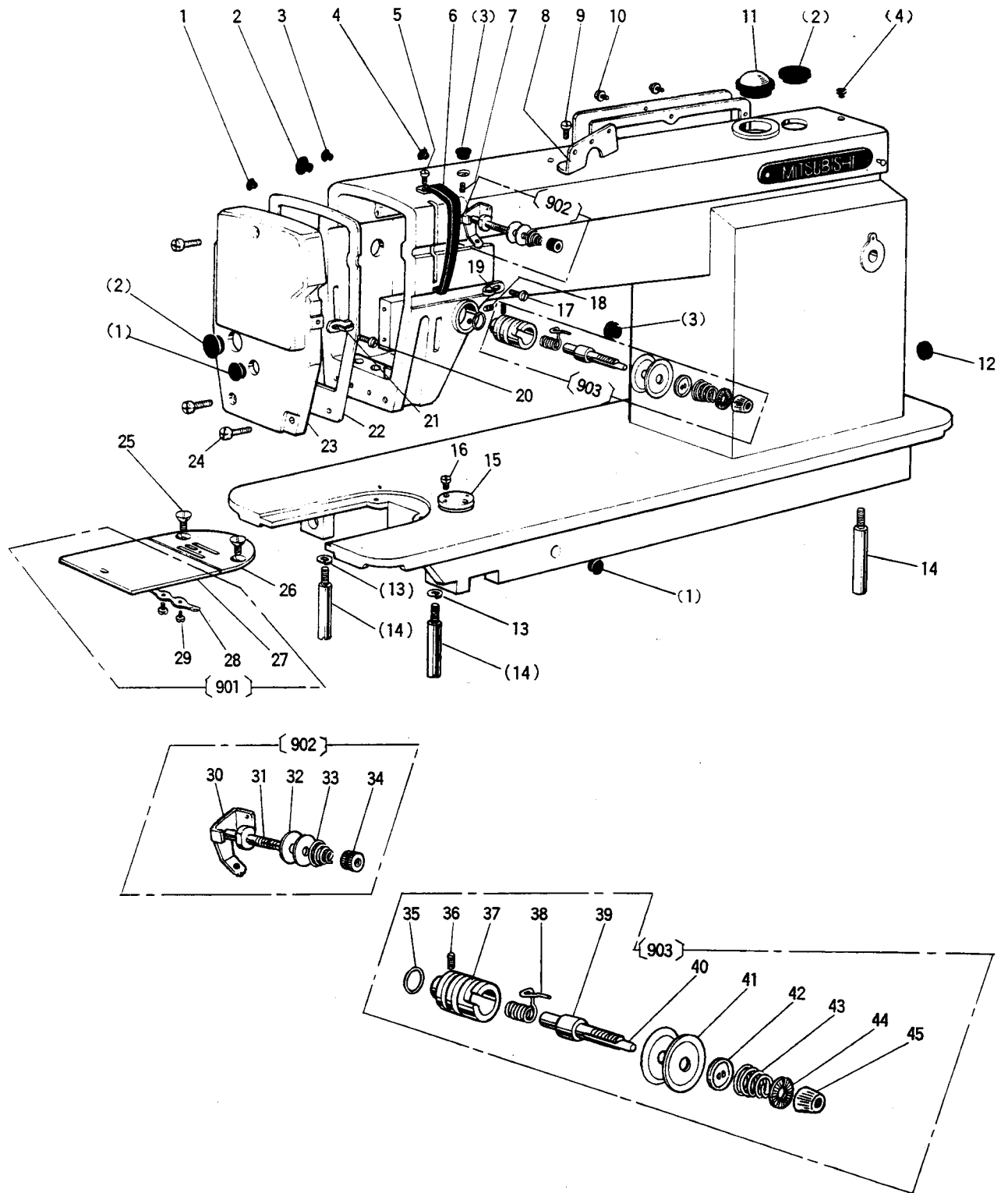
## 三菱工業用ミシン部品カタログ

## Industrial Sewing Machine Parts Catalog

### Model LS2-1180

目次	INDEX	Page
Ⓐ 本 体 関 係	Arm bed & it's accessories .....	2
Ⓑ 縫 い 機 構 (I)	Sewing mechanism (I) .....	4
Ⓒ 縫い機構(II) および水平送り軸, 上下送り軸機構	Sewing mechanism (II) & Feed rock shaft, feed lifting rock shaft mechanism .....	6
Ⓓ 送 り 調 節 機 構	Stitch length regulator mechanism .....	8
Ⓔ 押 え 機 構	Presser foot mechanism .....	10
Ⓕ 糸 切 り 機 構	Knife actuating mechanism .....	12
Ⓖ タッチバック機構 および検出器機構	Touch back mechanism & Detector mechanism .....	14
Ⓗ フ ィ バ ー 機 構	Wiper mechanism .....	16
Ⓙ 給 油 機 構	Oil lubrication mechanism .....	18
Ⓚ 付 属 品	Accessories .....	20
Ⓛ 索 引	Index .....	22

**A** 本体関係  
**ARM BED & IT'S ACCESSORIES**

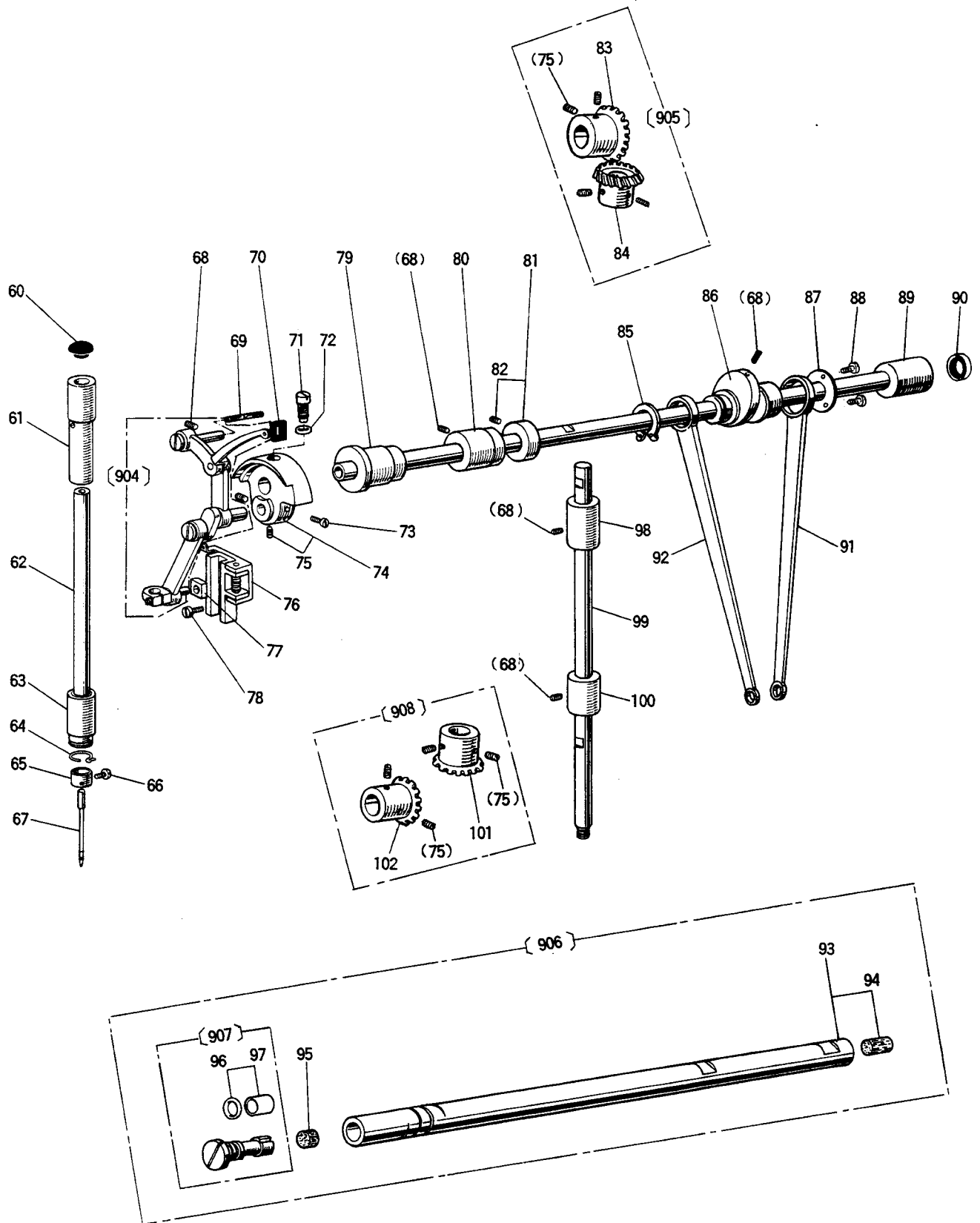


**A** 本体関係

**ARM BED & IT'S ACCESSORIES**

Fig. No.	部品コード Parts. No.	部品名	Description	使用個数 Amt. Reg.			
				LIT (個)	MIT (個)	HIT (個)	BIT
A1	M91182080	ゴム栓φ11.8	Rubber plug φ11.8	3	3	3	3
A2	M91910080	ゴム栓φ19	Rubber plug φ19	3	3	3	3
A3	M90883080	ゴム栓φ8.8	Rubber plug φ8.8	3	3	3	3
A4	M90573080	ゴム栓φ5.7	Rubber plug φ5.7	2	2	2	2
A5	M91110004	ブ ラマイジ 11/64 (40) × 8	Cross recessed and slotted screw 11/64 (40) × 8	1	1	1	1
A6	MF01A0584	天 秤 加 へ	Thread take-up cover	1	1	1	—
A6	MF03A0584	天 秤 加 へ	Thread take-up cover	—	—	—	1
A7	M91108001	止メジ 11/64 (40) × 5.5	Set screw 11/64 (40) × 5.5	1	1	1	1
A8	MF36A1180	アーム糸案内上	Thread guide (arm top)	1	1	1	1
A9	M91116002	平ジ 11/64 (40) × 8	Screw 11/64 (40) × 8	1	1	1	1
A10	M91109004	PW付ブ ラマイジ 11/64 (40) × 8	Cross recessed slotted screw-PW11/64 (40) × 8	6	6	6	6
A11	MF20A0135	油窓	Oil check window	1	1	1	1
A12	M92701080	ゴム栓φ27	Rubber plug φ27	1	1	1	1
A13	M90106053	ハネ座金6	Spring washer 6	2	2	2	2
A14	MF10A0151	脚	Leg	3	3	3	3
A15	MF01A0601	定規取付板	Cloth guide plate	1	1	1	1
A16	M91107002	平ジ 11/64 (40) × 5.5	Screw 11/64 (40) × 5.5	2	2	2	2
A17	M90943003	丸平ジ 9/64 (40) × 6	Screw 9/64 (40) × 6	1	1	1	1
A18	M91508001	止メジ 15/64 (28) × 6	Set screw 15/64 (28) × 6	1	1	1	1
A19	MG43A0181	アーム糸案内右	Thread guide (right)	—	—	—	1
A19	MF80A0181	アーム糸案内右	Thread guide (right)	1	1	1	—
A20	M90909003	丸平ジ 9/64 (40) × 6	Screw 9/64 (40) × 6	1	1	1	1
A21	MF10A0181	アーム糸案内左	Thread guide (left)	—	1	1	—
A21	MG43A1181	アーム糸案内左	Thread guide (left)	1	—	—	1
A22	MF01A1691	面板ガasket	Face plate gasket	1	1	1	1
A23	MF01A0830	面板	Face plate	1	1	1	1
A24	M91111004	ブ ラマイジ 11/64 (40) × 10	Cross recessed and slotted screw 11/64 (40) × 10	3	3	3	3
A25	M91106011	丸皿ジ 11/64 (40) × 7	Slotted counter sunk screw 11/64 (40) × 7	2	2	2	2
A26	MF00B2101	針板A14P	Needle plate A14P	1	—	—	—
A26	MF95A1101	針板B1.6	Needle plate B1.6	—	1	—	—
A26	MF26B0101	針板B2.6	Needle plate B2.6	—	—	1	1
A27	—	スベリ板	Slide plate	1	1	1	1
A28	MF10A0471	板ハネ(スベリ板)	Plate spring for slide plate	1	1	1	1
A29	M90604002	平ジ 3/32 (56) × 2.2	Screw 3/32 (56) × 2.2	2	2	2	2
A30	MF00A0181	糸案内	Thread guide	1	1	1	1
A31	MF90A0553	糸案内調子棒	Pre-tension stud	1	1	1	1
A32	MF10A1555	糸案内皿	Thread tension disc	2	2	2	2
A33	MF36A0245	プレテンションバネ	Pre-tension spring	1	1	1	1
A34	M91101046	ワマナット 11/64 (40)	Pre-tension adjusting nut 11/64 (40)	1	1	1	1
A35	M91202085	Oリング S12.5	O-ring S12.5	1	1	1	1
A36	M90902001	止メジ 9/64 (40) × 4.5	Set screw 9/64 (40) × 4.5	1	1	1	1
A37	MF01A0709	ブッシュ(糸調子器)	Thread tension regulator bushing	1	1	1	1
A38	MF10A0187	糸取りバネ(糸調子器)	Thread take-up spring	1	1	—	—
A38	MF02A0187	糸取りバネ(糸調子器)	Thread take-up spring	—	1	1	—
A39	MF10A0553	調子棒(糸調子器)	Thread tension stud	1	1	—	—
A39	MF02A0553	調子棒(糸調子器)	Thread tension stud	—	1	1	—
A40	M90204060	ピン(糸調子器)	Thread tension releasing pin	1	1	1	1
A41	MF10A0555	糸調子皿(糸調子器)	Thread tension disc	2	2	2	2
A42	MN11A0556	調子皿押I(糸調子器)	Thread tension releasing disc	1	1	1	1
A43	MN10A3245	糸調子バネ(糸調子器)	Thread tension spring	1	1	—	—
A43	MF02A1245	糸調子バネ(糸調子器)	Thread tension spring	—	1	1	—
A44	MT60A0802	回り止め(糸調子器)	Thumb nut revolution stopper	1	1	1	1
A45	M91605045	糸調子ナット(糸調子器) 1/4 (40)	Thumb nut 1/4 (40)	1	1	1	1
A901	MF10E0470	スベリ板組	Slide plate assy.	1	1	1	1
A902	MF00E0550	プレテンション組	Pre-tension assy.	1	1	1	1
A903	MF01E0210	糸調子組	Thread tension regulator assy.	1	1	—	—
A903	MF03E0210	糸調子組	Thread tension regulator assy.	—	—	1	1

**㊦ 縫い機構 (I)**  
**SEWING MECHANISM (I)**

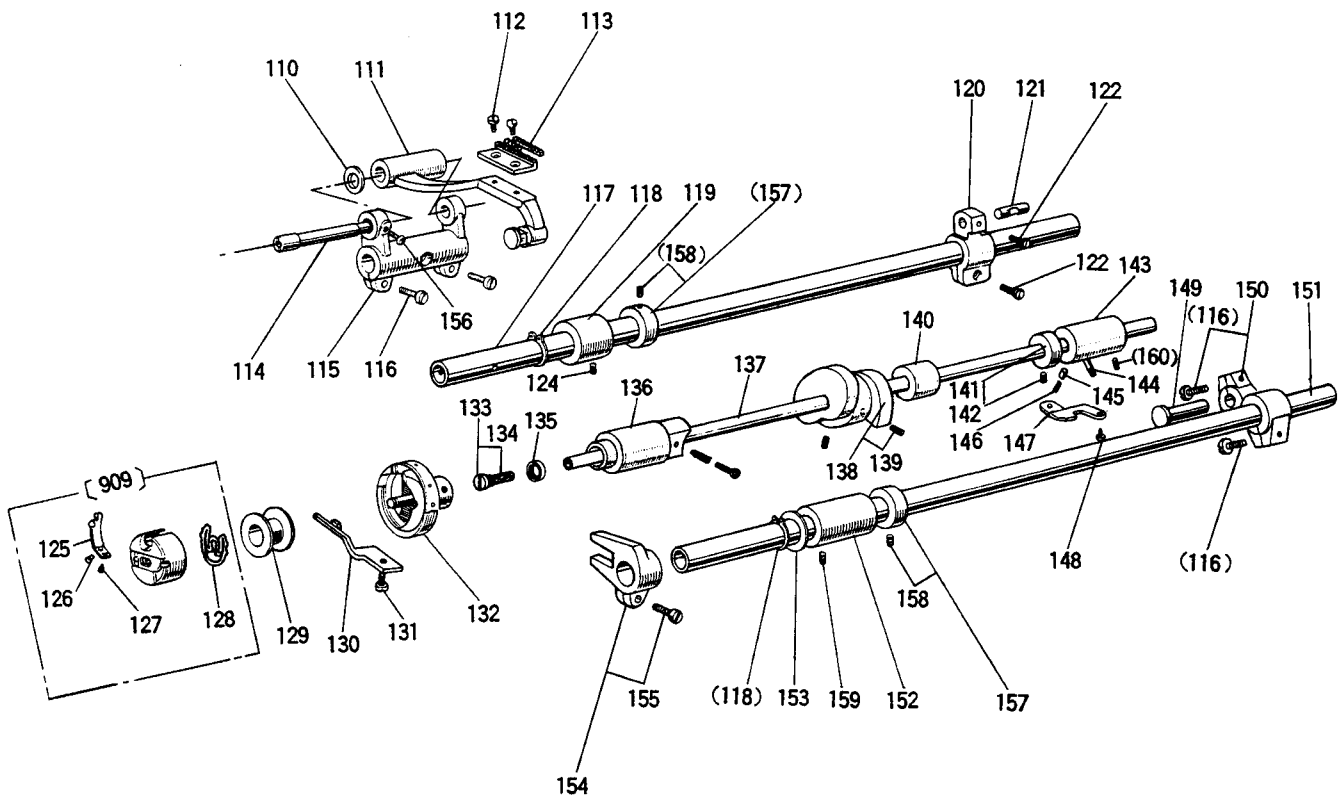


② 縫い機構 (I)

SEWING MECHANISM (I)

Fig. No.	部品コード Parts. No.	部品名	Description	使用個数 Amt. Reg.			
				LIT (M)	MIT (M)	HIT (M)	BIT
B60	M90883080	ゴム栓φ8.8	Rubber plug φ8.8	1	1	1	1
B61	MF70A0663	針棒丸上	Needle bar busing (upper)	1	1	1	1
B62	MF05A0660	針棒	Needle bar	-	1	-	-
B62	MF01A0660	針棒	Needle bar	1	-	-	-
B62	MF82A0660	針棒	Needle bar	-	-	1	-
B62	MF83A0660	針棒	Needle bar	-	-	-	1
B63	MF01A0664	針棒丸下	Needle bar busing (lower)	1	1	1	-
B63	MF03A0664	針棒丸下	Needle bar busing (lower)	-	-	-	1
B64	MF01A0181	糸案内(針棒丸下)	Thread guide	1	1	1	1
B65	MF05A0181	糸案内(針棒)	Thread guide	1	1	-	-
B65	MF80A1181	糸案内(針棒)	Thread guide	-	-	1	1
B66	M90815002	頭付止ネジ 1/8(44)×4.5	Slotted flat head set screw 1/8(44)×4.5	1	1	1	1
B67	MF21D0128	ミン針DA×1#11	Needle DA×1#11	1	-	-	-
B67	MF70A0128	ミン針DB×1-2#14	Needle DB×1-2#14	-	1	-	-
B67	MF83A0128	ミン針DB×1#22	Needle DB×1#22	-	-	1	1
B68	M91513001	止ネジ 15/64(28)×9.5	Set screw 15/64(28)×9.5	6	6	6	6
B69	MF01A0740	フェルト	Felt	1	1	1	1
B70	MF01A0417	油防キャップ	Oil shield cap	1	1	-	-
B70	MF03A0417	油防キャップ	Oil shield cap	-	-	1	1
B71	M91802006	棒先平ネジ 9/32(28)×14	Screw 9/32(28)×14	1	1	1	1
B72	M90700085	Oリング 1AP7	O-ring 1AP7	1	1	1	1
B73	M91801002	平ネジ 9/32(28)×13	Screw 9/32(28)×13	1	1	1	1
B74	MF01E0383	クランク付	Crank with screw	1	-	-	-
B74	MF01E1383	クランク付	Crank with screw	-	1	-	-
B74	MF03E0383	クランク付	Crank with screw	-	-	1	1
B75	M91606001	止ネジ 1/4(40)×6	Set screw 1/4(40)×6	10	10	10	10
B76	MF90E0662	針棒クランク付組	Needle bar connecting link guide assy.	1	1	1	1
B77	MF10A0325	角駒	Slide block	1	1	1	1
B78	M91106004	ブライネジ 11/64(40)×8	Cross recessed and slotted screw 11/64(40)×8	2	2	2	2
B79	MF01A0232	上軸丸左	Upper shaft bushing (left)	1	1	1	1
B80	MF05A0234	上軸丸中	Upper shaft bushing (middle)	1	1	1	1
B81	MF80A0352	カラー付	Thrust collar with screw	1	1	1	1
B82	M91602001	止ネジ 1/4(40)×4	Set screw 1/4(40)×4	2	2	2	2
B83	.....	上軸ギヤ	Upper shaft gear	1	1	1	1
B84	.....	縦軸ギヤ上	Vertical shaft gear (upper)	1	1	1	1
B85	M90320065	C型止輪軸用20	Retaining ring-C type 20	1	1	1	1
B86	MF00A1492	偏心輪	Feed drive eccentric cam	1	1	-	-
B86	MF02A1492	偏心輪	Feed drive eccentric cam	-	-	1	1
B87	MF00A1476	スラスト座金 φ36	Thrust collar φ36	1	1	1	1
B88	M90902011	丸皿ネジ 3/16(28)×13	Slotted counter sunk head screw 3/16(28)×13	3	3	3	3
B89	MF01A0233	上軸丸右	Upper shaft bushing (right)	1	1	1	1
B90	M91472086	オイルシール	Oil seal	1	1	1	1
B91	MF00A1386	水平送ロッド	Connecting rod for feed cam	1	1	1	1
B92	MF70A0384	上下送ロッド	Connecting rod for feed cam	1	1	1	1
B93	MF01E0230	上軸	Upper shaft	1	1	1	1
B94	.....	ゴム栓	Rubber plug	1	1	1	1
B95	MF01A1740	フェルト	Felt	1	1	1	1
B96	M90402085	Oリング S4	O-ring S4	1	1	1	1
B97	.....	ゴムブッシュ	Rubber bushing	1	1	1	1
B98	MF00A0521	縦軸丸上	Vertical shaft bushing (upper)	1	1	1	1
B99	MF10A0520	縦軸	Vertical shaft	1	1	1	1
B100	MF70A0522	縦軸丸下	Vertical shaft bushing (lower)	1	1	1	-
B100	MF74B0522	縦軸丸下	Vertical shaft bushing (lower)	-	-	-	1
B101	.....	縦軸ギヤ下	Vertical shaft gear (lower)	1	1	1	1
B102	.....	下軸ギヤ	Lower shaft gear	1	1	1	1
B904	MF01E0580	天秤針棒クランク組	Thread take-up lever assy.	1	-	-	-
B904	MF01E1580	天秤針棒クランク組	Thread take-up lever assy.	-	1	-	-
B904	MF01E2580	天秤針棒クランク組	Thread take-up lever assy.	-	-	1	-
B904	MF03E0580	天秤針棒クランク組	Thread take-up lever assy.	-	-	-	1
B905	MF01E0331	斜歯車上組	Bevel gear upper assy.	1	1	1	1
B906	MF01E1230	上軸組立	Upper shaft assy.	1	1	1	1
B907	M97006060	油量調節ピン組	Oil amount adjusting pin assy.	1	1	1	1
B908	MF01E0332	斜歯車下組	Bevel gear lower assy.	1	1	1	1

㊦ 縫い機構(Ⅱ)および水平送り軸, 上下送り軸機構  
 SEWING MECHANISM (Ⅱ) FEED ROCK SHAFT, FEED LIFTING  
 ROCK SHAFT MECHANISM

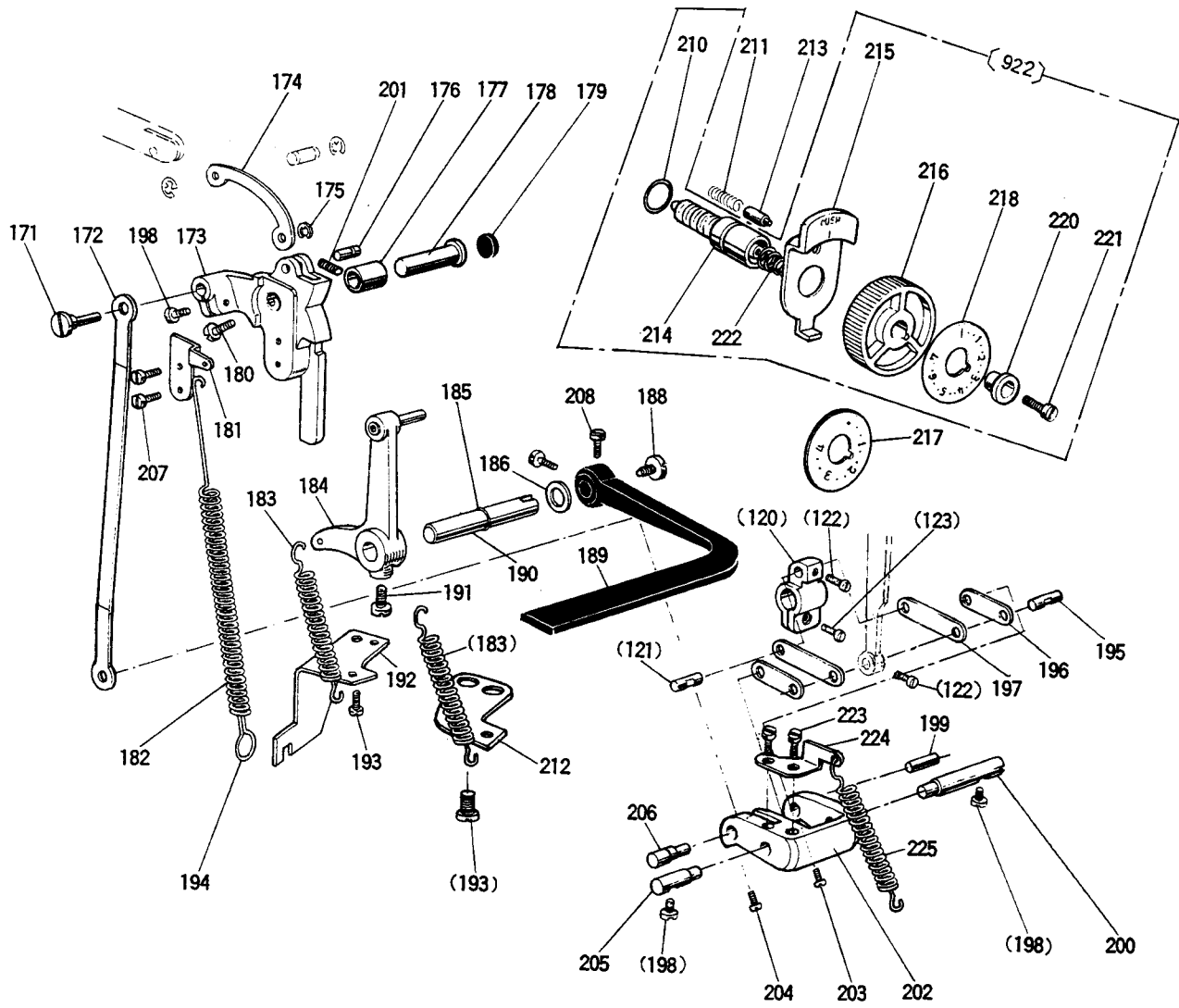


② 縫い機構(Ⅱ)および水平送り軸, 上下送り軸機構  
 SEWING MECHANISM (Ⅱ) FEED ROCK SHAFT, FEED LIFTING  
 ROCK SHAFT MECHANISM

Fig. No.	部品コード Parts No.	部品名	Description	使用個数 Amt. Reg.			
				LIT ①	MIT ②	HT ③	BT ④
C110	M90619050	座金 φ10	Washer φ10	1	1	1	1
C111	MF00E0281	送り台組	Feed bar assy.	1	1	1	1
C112	M90806002	平ネジ 1/8(44)×6	Screw 1/8(44)×6	2	2	2	2
C113	MF00A3104	送り歯(4枚歯)	Feed dog A.115P	1	-	-	-
C113	MF10A0104	送り歯(3枚歯)	Feed dog B.P1.6	-	1	1	1
C114	MF90A0283	偏心軸	Shaft for feed bar (eccentric)	1	1	1	1
C115	MF90A0278	水平送り腕左ネジ付	Feed rock shaft crank (left)	1	1	1	1
C116	M91204002	丸平ネジ 3/16(28)×12	Screw 3/16(28)×12	4	4	4	4
C117	MF70A0491	水平送り軸	Feed rock shaft	1	1	1	1
C118	M90517065	C型止輪軸用15	Retaining ring-C type 15	2	2	2	2
C119	MF00A0286	水平送り軸用丸左	Bushing for feed rock shaft (left)	1	1	1	1
C120	MF00A0279	水平送り腕右	Feed rock shaft crank (right)	1	1	-	-
C120	MF02A0279	水平送り腕右	Feed rock shaft crank (right)	-	-	1	1
C121	MF00A0454	水平送り腕軸	Feed rock shaft crank pin	1	1	1	1
C122	M91521002	平ネジ 11/64(40)×7	Screw 11/64(40)×7	2	2	2	2
C124	M91506001	止ネジ 15/64(28)×6	Set screw 15/64(28)×6	1	1	1	1
C125	MF01A0557	糸調子バネ	Bobbin thread tension spring	1	1	1	-
C125	MF03A0557	糸調子バネ	Bobbin thread tension spring	-	-	-	1
C126	M97085030	糸調子ネジ 3/32(100)×1.6	Tension spring screw 3/32(100)×1.6	1	1	1	-
C126	M97086030	糸調子ネジ 3/32(100)×2.2	Tension spring screw 3/32(100)×2.2	-	-	-	1
C127	M97087030	糸調子バネ止ネジ 1/16(80)×1.2	Tension regulating screw 1/16(80)×1.2	1	1	1	-
C127	M97088030	糸調子バネ止ネジ 1/16(80)×1.5	Tension regulating screw 1/16(80)×1.5	-	-	-	1
C128	MF01A0245	空転防止バネ	Bobbin tension spring	1	1	-	-
C128	MF01A1245	空転防止バネ	Bobbin tension spring	-	-	-	1
C128	MF03A0245	空転防止バネ	Bobbin tension spring	-	-	-	1
C129	MF41D0123	ボビン	Bobbin	1	-	-	-
C129	MF00A0123	ボビン	Bobbin	-	1	1	-
C129	MF25B0123	ボビン	Bobbin	-	-	-	1
C130	MF10A0229	内蓋止め	Hook positioner	1	1	-	-
C130	MF17B0229	内蓋止め	Hook positioner	-	-	1	-
C130	MF20A0229	内蓋止め	Hook positioner	-	-	-	1
C131	M91118002	平ネジ 11/64(40)×10	Screw 11/64(40)×10	1	1	1	1
C132	MF01E0120	釜組	Rotary hook assy.	1	-	-	-
C132	MF00A0120	釜組	Rotary hook assy.	-	1	-	-
C132	MF42B0120	釜組	Rotary hook assy.	-	-	1	-
C132	MF45A0120	釜組	Rotary hook assy.	-	-	-	1
C133	M91259030	オイルキャップ組 3/16(32)×9	Oil cap screw assy. 3/16(32)×9	1	1	1	1
C134	MF05A0740	オイルフェルト	Oil felt for lower shaft	1	1	1	1
C135	M90800086	オイルシール	Oil seal	1	1	1	1
C136	MF00A0451	下軸用丸左	Lower shaft bushing (left)	1	1	1	1
C137	MF00A0450	下軸	Lower shaft	1	1	1	-
C137	MF02A0450	下軸	Lower shaft	-	-	-	1
C138	MF01E0350	糸切りカムネジ付	Thread trimmer cam with screw	1	1	1	1
C139	M91602020	穴付止ネジ 1/4(40)×10	Soket set screw 1/4(40)×10	2	2	2	2
C140	MF00A0453	下軸用丸中	Lower shaft bushing (middle)	1	1	1	1
C141	MF01E0352	カラーネジ付	Thrust collar with screw	1	1	1	1
C142	M91106001	止ネジ 11/64(40)×3.7	Set screw 11/64(40)×3.7	2	2	2	2
C143	MF00A0452	下軸用丸右	Lower shaft bushing (right)	1	1	1	1
C144	MF80A0688	パイプ	Oil pipe for lower shaft busing	1	1	1	1
C145	MF00A0753	プランジャー	Plunger	1	1	1	1
C146	MF00A0572	コイルバネ	Coil spring	1	1	1	1
C147	MF00A0154	案内板	Guide plate	1	-	-	-
C147	MF80A0154	案内板	Guide plate	-	-	1	-
C147	MF83A0154	案内板	Guide plate	-	-	-	1
C148	M91501003	平ネジ 15/64(28)×10	Screw 15/64(28)×10	1	1	1	1
C149	M90904060	かん付軸	Connecting rod stud	1	1	1	1
C150	MF00A0277	上下送り腕右ネジ付	Feed lifting rock shaft crank (right)	1	1	-	-
C150	MF80A0277	上下送り腕右ネジ付	Feed lifting rock shaft crank (right)	-	-	1	1
C151	MF70A0460	上下送り軸	Feed lifting rock shaft	1	1	1	1
C152	MF70A0286	上下送り軸用丸左	Bushing for feed lifting rock shaft (left)	1	1	1	1
C153	M91502050	スラスト座金 φ20.5	Thrust washer φ20.5	1	1	1	1
C154	MF01E0276	上下送り二又ネジ付	Feed lifting rock shaft fork	1	1	1	1
C155	M91112002	平ネジ 11/64(40)×12	Screw 11/64(40)×12	1	1	1	1
C156	M91106004	ブラマネジ 11/64(40)×8	Cross recessed and slotted screw 11/64(40)×8	1	1	1	1
C157	MF80A0352	カラーネジ付	Thrust collar with screw	2	2	2	2
C158	M91602001	止ネジ 1/4(40)×4	Set screw 1/4(40)×4	4	4	4	4
C159	M91513001	止ネジ 15/64(28)×9.5	Set screw 15/64(28)×9.5	1	1	1	1
C160	M91502001	止ネジ 15/64(28)×3.5	Set screw 15/64(28)×3.5	1	1	1	1
C909	MF40E0125	ボビンケース組	Bobbin case assy.	1	1	-	-
C909	MF95E0125	ボビンケース組	Bobbin case assy.	-	-	1	-
C909	NG44E0125	ボビンケース組	Bobbin case assy.	-	-	-	1

㊦ 送り調節機構

STITCH LENGTH REGULATOR MECHANISM



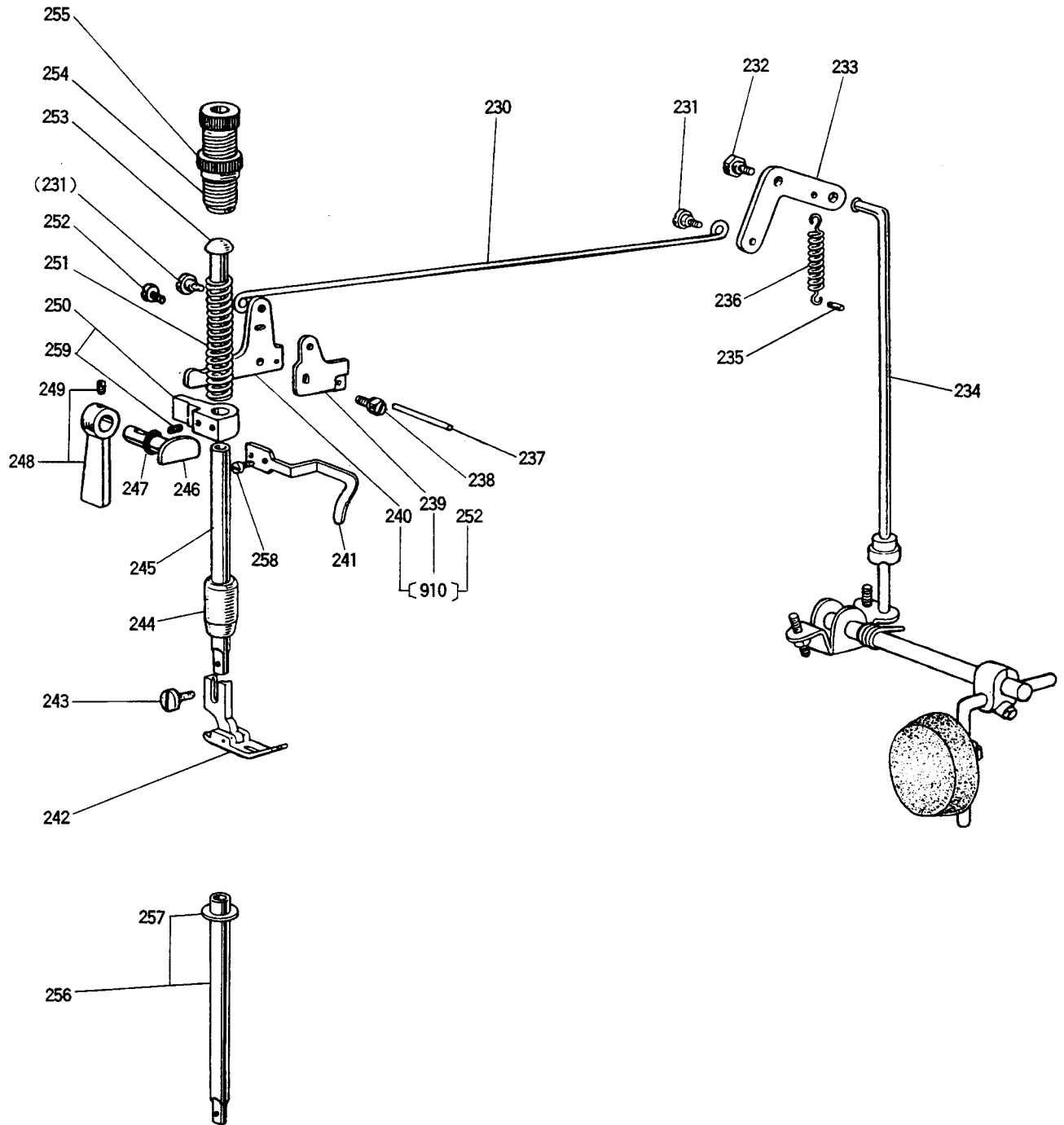


□ 送り調節機構

STITCH LENGTH REGULATOR MECHANISM

Fig. No.	部品コード Parts. No.	部品名	Description	使用個数 Amt. Reg.			
				LIT (個)	MIT (個)	HIT (個)	BIT
D171	MF00A0530	段付軸	Connecting rod stud	1	1	1	1
D172	MF00A6910	返し送りロッド	Feed rock regulator connecting rod	1	1	1	1
D173	MF00A1152	送り調節爪	Feed regulator	1	1	—	—
D173	MF02A1152	送り調節爪	Feed regulator	—	—	1	1
D174	MF00A7910	リンク	Link	1	1	1	1
D175	M90504065	E型止輪4	Retaining ring-E type 4	1	1	1	1
D176	M90519060	軸	Link stud	1	1	1	1
D177	MF70A0750	ブッシュ	Bushing for feed regulator	1	1	1	1
D178	M90904063	爪付軸	Connecting rod stud	1	1	1	1
D179	M92004080	ゴム栓φ20	Rubber plug φ20	1	1	1	1
D180	M91516002	平ネジ 15/64 (28) × 8.5	Screw 15/64 (28) × 8.5	1	1	1	1
D181	MF00A2708	掛金	Spring retainer	—	—	1	1
D182	MF40A6572	コイルバネ	Coil spring	—	—	1	1
D183	MF00A5572	コイルバネ	Coil spring	1	1	1	1
D184	MF00E1635	返し縫腕組	Reverse sewing crank assy.	1	1	1	1
D185	M90600085	Oリング 1AP6	O-ring 1AP6	1	1	1	1
D186	M95003053	皿バネ	Spring washer	1	1	1	1
D188	M91207003	丸平ネジ 3/16 (28) × 6.5	Screw 3/16 (28) × 6.5	1	1	1	1
D189	MF01A0632	返し縫レバー	Feed reversing lever	1	1	1	1
D190	MF00A0633	返し縫レバー軸	Feed reversing lever shaft	1	1	1	1
D191	M91501007	棒先丸平ネジ 15/64 (28) × 14.5	Screw 15/64 (28) × 14.5	1	1	1	1
D192	MF00A1708	掛金	Spring holder	—	—	1	1
D193	M91505002	平ネジ 15/64 (28) × 13.5	Screw 15/64 (28) × 13.5	1	1	1	1
D194	MN15A0708	掛金	Spring holder	—	—	1	1
D195	MF00A1454	軸	Link stud	1	1	1	1
D196	MF00A2910	リンク	Link	2	2	2	2
D197	MF00A3910	リンク	Link	2	2	—	—
D197	MF02A0910	リンク	Link	—	—	2	2
D198	M91112002	平ネジ 11/64 (40) × 12	Screw 11/64 (40) × 12	3	3	3	3
D199	MF00A2454	軸	Link stud	1	1	1	1
D200	MN35A2530	段付軸	Feed regulator shaft	1	1	1	1
D201	M91513001	止ネジ 15/64 (28) × 9.5	Set screw 15/64 (28) × 9.5	1	1	1	1
D202	MF00A0289	送り調節腕	Stitch length adjusting crank	1	1	1	1
D203	M90905002	平ネジ 9/64 (40) × 8.5	Screw 9/64 (40) × 8.5	1	1	1	1
D204	M90903002	平ネジ 9/64 (40) × 6.5	Screw 9/64 (40) × 6.5	1	1	1	1
D205	MN35A3530	段付軸	Feed regulator shaft	1	1	1	1
D206	MF00A3530	段付軸	Link stud	1	1	1	1
D207	M91106004	ブラインドネジ 11/64 (40) × 8	Cross recessed and slotted screw 11/64 (40) × 8	—	—	2	2
D208	M91501003	平ネジ 15/64 (28) × 10	Screw 15/64 (28) × 10	2	2	2	2
D210	M91000085	Oリング P10A	O-ring P10A	1	1	1	1
D211	MF05A0572	コイルバネ	Coil spring	1	1	1	1
D212	MF00A3708	掛金	Spring holder	1	1	—	—
D213	MF00A0852	位置決めピン	Stopper pin	1	1	1	1
D214	MF85A0640	送り調節ネジ	Screw bar	1	1	1	1
D215	MF00A0950	レバー	Stopper pin releasing lever	1	1	1	1
D216	MF01A0631	ダイヤル	Dial	1	1	1	1
D217	MF01A0841	メトリ板	Stitch length indicating plate	1	1	—	—
D218	MF03A0841	メトリ板	Stitch length indicating plate	—	—	1	1
D220	MF00A0257	押金	Bushing	1	1	1	1
D221	M91215002	平ネジ 3/16 (28) × 12	Screw 3/16 (28) × 12	1	1	1	1
D222	MF02A0245	円盤バネ	Coil spring	1	1	1	1
D223	M90921002	平ネジ 9/64 (40) × 8	Screw 9/64 (40) × 8	2	2	—	—
D224	MF00A4708	掛金	Spring holder	1	1	—	—
D225	MF00A6572	コイルバネ	Coil spring	1	1	—	—
D922	MF01E0640	送り調節ネジ組	Screw bar assy.	1	1	—	—
D922	MF03E0640	送り調節ネジ組	Screw bar assy.	—	—	1	1

□ 押え機構  
PRESSER FOOT MECHANISM

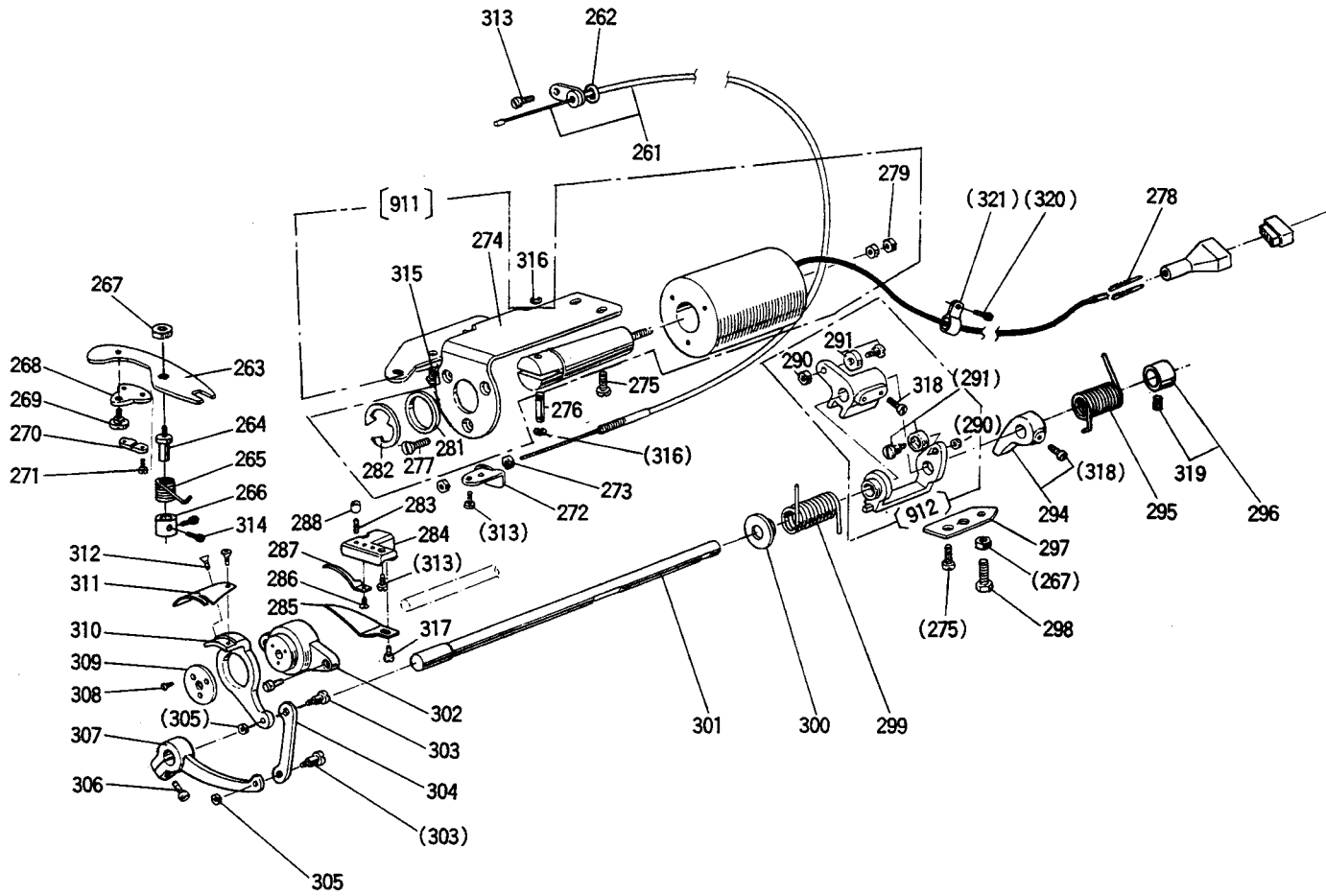


□ 押え機構

PRESSER FOOT MECHANISM

Fig. No.	部品コード Parts. No.	部品名	Description	使用個数 Amt. Reg.			
				LIT (個)	MIT (個)	HIT (個)	BIT
E230	MF70A0738	引棒	Knee lifter rod	1	1	1	1
E231	M91219015	段付平ネジ 3/16(28)×3.5	Stud screw 3/16(28)×3.5	2	2	2	2
E232	M91503031	段付ネジ 15/64(28)×6.5	Stud bolt 15/64(28)×6.5	1	1	1	1
E233	MF70A1950	押上げレバー-右	Knee lifter lever (right)	1	1	1	1
E234	MF70A0511	操作棒	Knee lifter connecting rod	1	1	1	1
E235		バネフック	Spring hook	1	1	1	1
E236	MF70A0572	ツルマキバネ	Spring for knee lifter lever	1	1	1	1
E237	M90423060	糸リムピン	Thread releasing pin	1	1	1	1
E238	M91504031	段付ネジ 15/64(28)×7	Stud bolt 15/64(28)×7	1	1	1	1
E239		糸リムカム	Tension releasing cam	1	1	1	1
E240		押上げレバー-左	Knee lifter lever (left)	1	1	1	1
E241	MF01A0216	糸案内	Thread guide	1	1	1	1
E242	MF10A0105	押し組	Presser foot assy.	1	1	-	-
E242	MF12B0105	押し組	Presser foot assy.	-	-	1	-
E242	MF68B0105	押し組	Presser foot assy.	-	-	1	-
E243	M90939002	平ネジ 9/64(40)×11	Screw 9/64(40)×11	1	1	1	1
E244	MF00A0267	押し棒メス	Bushing for presser bar	1	1	1	1
E245	MF11D0262	押し棒	Presser bar	-	1	1	1
E246	MF01E0253	押上げカムリング付	Presser bar lifting cam with O-ring	1	1	1	1
E247	M90401085	Oリング 1AP4	O-ring 1AP4	1	1	1	1
E248	MF01E0252	押上げネジ付	Presser bar lifter with screw	1	1	1	1
E249	M91108001	止メネジ 11/64(40)×5.5	Set screw 11/64(40)×5.5	1	1	1	1
E250	MF01A0265	押し棒ガイドネジ付	Presser bar guide bracket	1	1	1	1
E251	MF10A0259	押しバネ	Presser spring	1	-	-	-
E251	MF12B0259	押しバネ	Presser spring	-	1	1	1
E252	M91131002	平ネジ 11/64(40)×6.5	Screw 11/64(40)×6.5	1	1	1	1
E253	MF20A0703	案内棒	Presser spring guide	1	1	1	1
E254	M93220035	ツマミネジ 1/2(28)×49	Thumb screw 1/2(28)×49	1	1	1	1
E255	M93202047	ツマミナット 1/2(28)×8	Thumb nut 1/2(28)×8	1	1	1	1
E256	MF01E0262	押し棒組	Presser bar assy.	1	-	-	-
E257	M90702065	CE型止輪 φ11.12	Retaining ring-CE type φ11.12	1	-	-	-
E258	M91106004	ブラマイネジ 11/64(40)×8	Cross recessed and slotted screw 11/64(40)×8	1	1	1	1
E259	M91506001	止メネジ 11/64(40)×6	Set screw 11/64(40)×6	1	1	1	1
E910	MF00E0252	押上げレバー-左組	Knee lifter lever (left) assy.	1	1	1	1

**F** 糸切り機構  
**KNIFE ACTUATING MECHANISM**

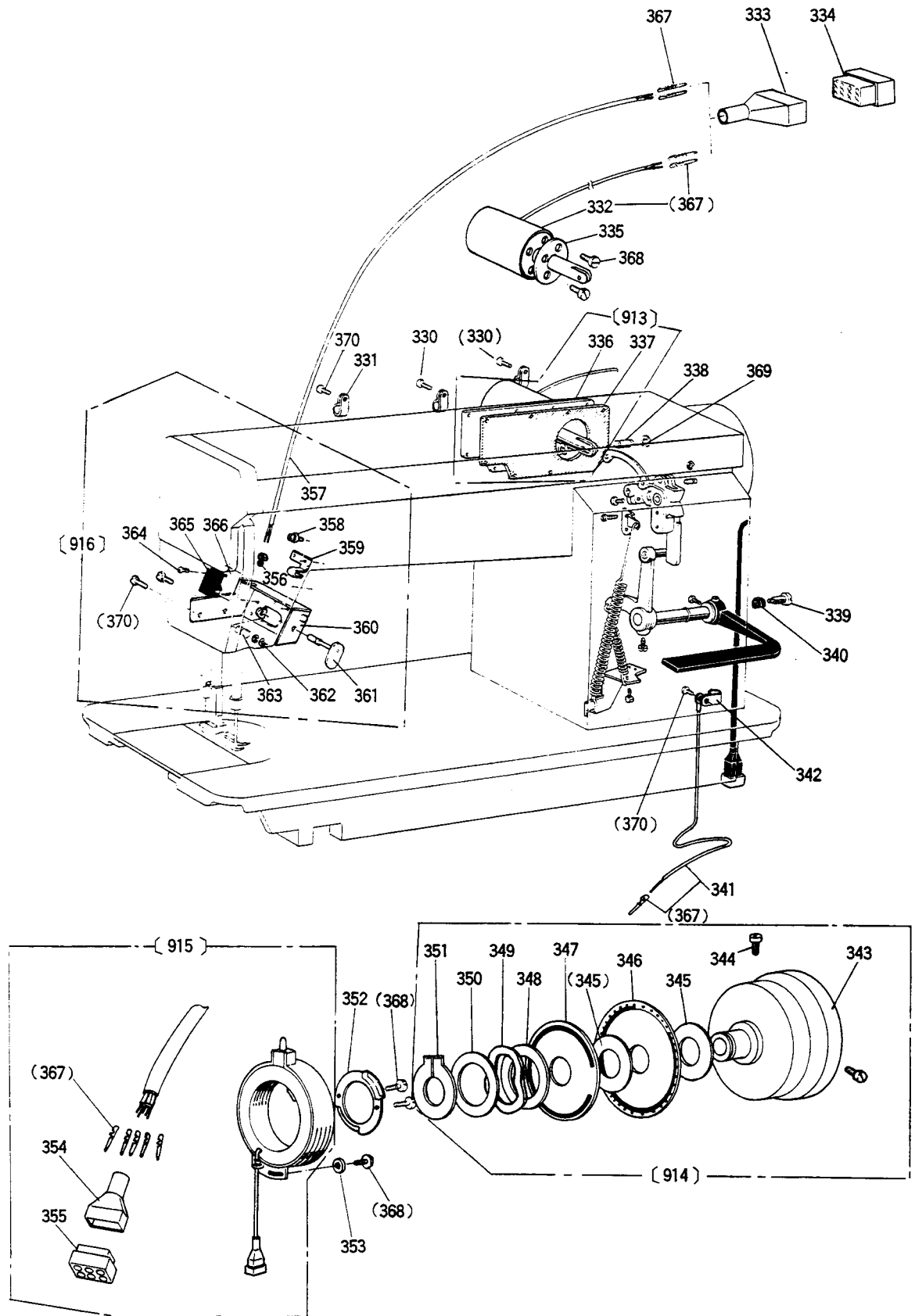


**F** 糸切り機構

**KNIFE ACTUATING MECHANISM**

Fig. No.	部品コード Parts. No.	部品名	Description	使用個数 Amt. Reg.			
				LIT (個)	MIT (個)	HIT (個)	BIT
F261	MF01E0746	フレキシブルワイヤ組	Flexible wire assy.	1	1	1	1
F262	M90401085	Oリング 1AP4	O-ring 1AP4	1	1	1	1
F263	MF00A1391	駆動板	Thread trimmer driving lever	1	1	1	1
F264	M97082030	段付ネジ 15/64(28)×7.5	Stud screw 15/64(28)×7.5	1	1	1	1
F265	MF00A1729	ヒネリバネ	Trimming lever spring	1	1	1	1
F266	MF00A1352	カラー	Spring support collar	1	1	1	1
F267	M91502045	ナット 15/64(28)	Nut 15/64(28)	2	2	2	2
F268	MF90A0361	フレキシブルワイヤホルダ	Flexible wire holder	1	1	1	1
F269	M91127015	段付平ネジ 11/64(40)×5	Stud screw 11/64(40)×5	1	1	1	1
F270	MF36A0750	フレキシブルワイヤ押エ	Flexible wire presser	1	1	1	1
F271	M90802002	平ネジ 1/8(44)×7	Screw 1/8(44)×7	2	2	2	2
F272	MF00A0780	ホルダ	Holder	1	1	1	1
F273	M91373045	ナット M5×4T	Nut M5×4T	2	2	2	2
F274	MF00A1509	糸切りソレノイド台	Solenoid bracket	1	1	1	1
F275	M91510002	平ネジ 15/64(28)×12	Screw 15/64(28)×12	4	4	4	4
F276	M90516063	軸	Link stud	1	1	1	1
F277	M94008037	P皿ネジ M4×6	Cross recessed counter sunk flat head screw M4×6	3	3	3	3
F278	M93003099	ピンターミナル(オス)	Terminal pin (Male)	2	2	2	2
F279	M92074075	止メナット M5×3.2T	Nut M5×3.2T	2	2	2	2
F281	MF01A0397	クッション	Thread trimmer driving lever cushion	1	1	1	1
F282	M90703065	E型止メ輪 12	Retaining ring-E type 12	1	1	1	1
F283	M90913001	止メネジ 9/64(40)×8.5	Set screw 9/64(40)×8.5	1	1	1	1
F284	MF00A1603	固定刃取付台	Bracket for fixed blade	1	1	1	1
F285	MF00A0180	糸案内	Thread finger	1	1	1	—
F285	MF02A0180	糸案内	Thread finger	—	—	—	1
F286	M91102010	皿ネジ 9/64(40)×4.1	Slotted counter sunk head screw 9/64(40)×4.1	1	1	1	1
F287	MF00A0838	固定刃	Fixed blade	1	1	1	—
F287	MF02A0838	固定刃	Fixed blade	—	—	—	1
F288	M91110045	ナット 9/64(40)	Nut 9/64(40)	1	1	1	1
F290	M91201045	ナット 3/16(28)	Nut 3/16(28)	2	2	2	2
F291	MF01E0411	カム、カムシフト	Cam follower, Shoulder screw assy.	2	2	2	2
F294	MF01E0477	ストップバー組	Stopper lever assy.	1	1	1	1
F295	MF00A0729	ヒネリバネ	Coil spring	1	1	1	1
F296	MF01E1352	カラーネジ付	Collar with screw	1	1	1	1
F297	MF00A1477	ストップバー板	Lever stopper plate	1	1	1	1
F298	M91503022	ボルト 15/64(28)×20	Bolt 15/64(28)×20	1	1	1	1
F299	MF00A9572	コイルバネ	Coil spring	1	1	1	1
F300	MF00A0750	ブッシュ	Bushing	1	1	1	1
F301	MF00A5454	刃駆動軸	Knife driving shaft	1	1	1	—
F301	MF02A1454	刃駆動軸	Knife driving shaft	—	—	—	1
F302	MF00A2527	台座	Knife holding bracket saddle	1	—	—	—
F302	MF00A1527	台座	Knife holding bracket saddle	—	1	1	1
F303	M91111015	段付平ネジ 11/64(40)×6.2	Stud screw 11/64(40)×6.2	2	2	2	2
F304	MF00A8910	リンク	Link	1	1	1	1
F305	M91107045	ナット 11/64(40)	Nut 11/64(40)	2	2	2	2
F306	M91117002	丸平ネジ 11/64(40)×13	Screw 11/64(40)×13	1	1	1	1
F307	MF00A1392	駆動腕	Knife driving crank	1	1	1	1
F308	M90803010	皿ネジ 1/8(44)×6	Slotted counter sunk head screw 1/8(44)×6	3	3	3	3
F309	M94006052	スラスト座金 φ28	Thrust collar φ28	1	1	1	1
F310	MF00A0836	刃台左	Knife base (left)	1	1	1	—
F310	MF02A0836	刃台左	Knife base (left)	—	—	—	1
F311	MF00A0834	刃左	Movable knife (left)	1	1	1	—
F311	MF02A0834	刃左	Movable knife (left)	—	—	—	1
F312	M91151010	六角穴付皿ネジ 11/64(40)×7	Hexagon socket counter sunk screw 11/64(40)×7	2	2	2	2
F313	M91106004	ブッシュネジ 11/64(40)×8	Cross recessed and slotted screw 11/64(40)×8	6	6	6	6
F314	M90903002	平ネジ 9/64(40)×6.5	Screw 9/64(40)×6.5	2	2	2	2
F315	M91118002	平ネジ 11/64(40)×10	Screw 11/64(40)×10	1	1	1	1
F316	M90519065	E型止メ輪 4	Retaining ring-E type 4	2	2	2	2
F317	M90921002	平ネジ 9/64(40)×8	Screw 9/64(40)×8	1	1	1	1
F318	M91516002	頭付止メネジ 15/64(28)×8.5	Slotted flat head set screw 15/64(28)×8.5	1	1	1	1
F319	M91602001	止メネジ 1/4(40)×4	Set screw 1/4(40)×4	1	1	1	1
F320	M91109004	PW付ブッシュネジ 11/64(40)×8	Cross recessed slotted screw-PW 11/64(40)×8	1	1	1	1
F321	M94003099	コード押エ	Cord holder	1	1	1	1
F911	MF00E3519	糸切りソレノイド組	Thread trimming solenoid	1	1	1	1
F912	MF01E0351	カム追従腕組	Cam follower crank assy.	1	1	1	1

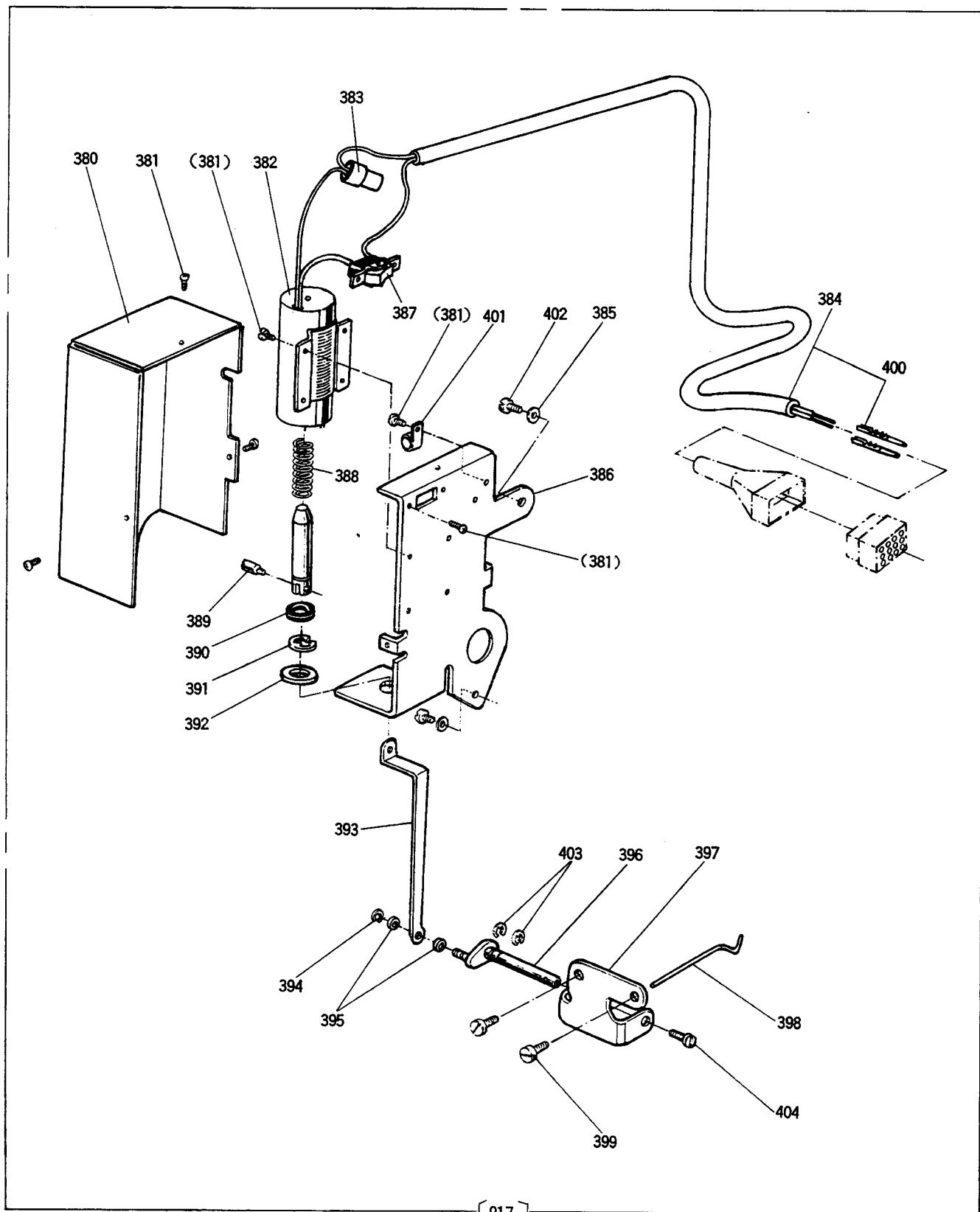
**G** タッチバック機構および検出器機構  
**TOUCH BACK MECHANISM & DETECTOR MECHANISM**



# G タッチバック機構および検出器機構 TOUCH BACK MECHANISM & DETECTOR MECHANISM

Fig. No.	部品コード Parts. No.	部品名	Description	使用個数 Amt. Reg.			
				LIT (C)	MIT (C)	HIT (C)	BIT
G330	M91111004	ブライネジ 11/64(40)×10	Cross recessed and slotted screw 11/64(40)×10	2	2	2	2
G331	M94003099	コード押エ	Cord holder	3	3	3	3
G331	MN60A0620	コード押エ	Cord holder	3	3	3	3
G332	M91018098	ソレノイド組	Solenoid assy. for touch back	1	1	1	1
G333	MF01A0366	コネクタキャップ	Connector cap	1	1	1	1
G334	M91018099	コネクタ-12P	Nylon connector 12-pole	1	1	1	1
G335	MF01A0691	ガスケット	Gascket for solenoid oil seal	1	1	1	1
G336	MF01A0880	横蓋	Arm side cover	1	1	1	1
G337	MF00A1691	ガスケット	Gascket for arm side cover	1	1	1	1
G338	M90516063	ピン	Link stud	1	1	1	1
G339	M91515015	段付平ネジ 15/64(28)×7	Stud screw 15/64(28)×7	1	1	1	1
G340	MN36A0417	ゴムクッション	Rubber cushion	1	1	1	1
G341	M97003095	アースコート組	Ground wire assy.	1	1	1	1
G342	M94008099	コード押エ	Cord holder	1	1	1	1
G343	MF01A0682	プーリ	Pulley	1	1	1	1
G344	M91502002	ピラネジ 15/64(28)×12	Screw 15/64(28)×12	2	2	2	2
G345	MF01A0476	スペーサA	Spacer A	2	2	2	2
G346	MF01A2694	反射板B12(下)	Speed command disc B12 (down)	1	1	1	1
G347	MF01A1694	反射板B21(上)	Speed command disc B21 (up)	1	1	1	1
G348	MF01A1476	スペーサB	Spacer B	1	1	1	1
G349	MF01A0259	反射板押エスプリング	Supporter spring	1	1	1	1
G350	M93001050	座金30	Washer 30	1	1	1	1
G351	M90330065	C型止メ輪30	Retaining ring-C type 30	1	1	1	1
G352	MF01A0257	検出器押エ	Detector bracket supporter	1	1	1	1
G353	M93002050	座金 φ12	Washer φ12	1	1	1	1
G354	MF01A0366	コネクタキャップ	Connector cap	1	1	1	1
G355	M91020099	コネクタ-6P	Nylon connector 6-pole	1	1	1	1
G356	M91004080	ゴム栓 φ10	Rubber plug φ10	1	1	1	1
G357	M97118099	コード組	Vinyl cap-tire4 cable for touch switch	1	1	1	1
G358	M90250037	SW-PW付付ナネジ M2×3	Cross recessed head screw-SW-PW M2×3	2	2	2	2
G359	MF00A0192	板バネ	Spring plate	1	1	1	1
G360	MF01A1601	スイッチ取付板	Bracket for touch switch	1	1	1	1
G361	MF00A0270	押しボタン	Push button	1	1	1	1
G362	M90512065	E型止メ輪3	Retaining ring-E type 3	2	2	2	2
G363	MF00A7572	コイルバネ	Coil spring	1	1	1	1
G364	M90251037	バインドネジ M2×8	Bind head screw-cross M2×8	1	1	1	1
G365	M90208099	マイクロスイッチ	Micro switch	1	1	1	1
G366	MF01A0502	絶縁板	Insulator seet	1	1	1	1
G367	M93003099	ピンターミナル(オス)	Terminal pin (Male)	10	10	10	10
G368	M91106004	ブライネジ 11/64(40)×8	Cross recessed and slotted screw 11/64(40)×8	7	7	7	7
G369	M90519065	E型止メ輪4	Retaining ring-E type 4	2	2	2	2
G370	M91109004	PW付ブライネジ 11/64(40)×8	Cross recessed and slotted screw-PW 11/64(40)×8	4	4	4	4
G913	MF01E0519	横蓋ソレノイド組	Arm side cover solenoid assy.	1	1	1	1
G914	MF01E0682	プーリ組	Pulley assy.	1	1	1	1
G915	MF01E0406	検出器組	Detector bracket assy.	1	1	1	1
G916	MF01E0534	タッチスイッチ組	Touch switch assy.	1	1	1	1

Ⓜ ワイパー機構  
WIPER MECHANISM

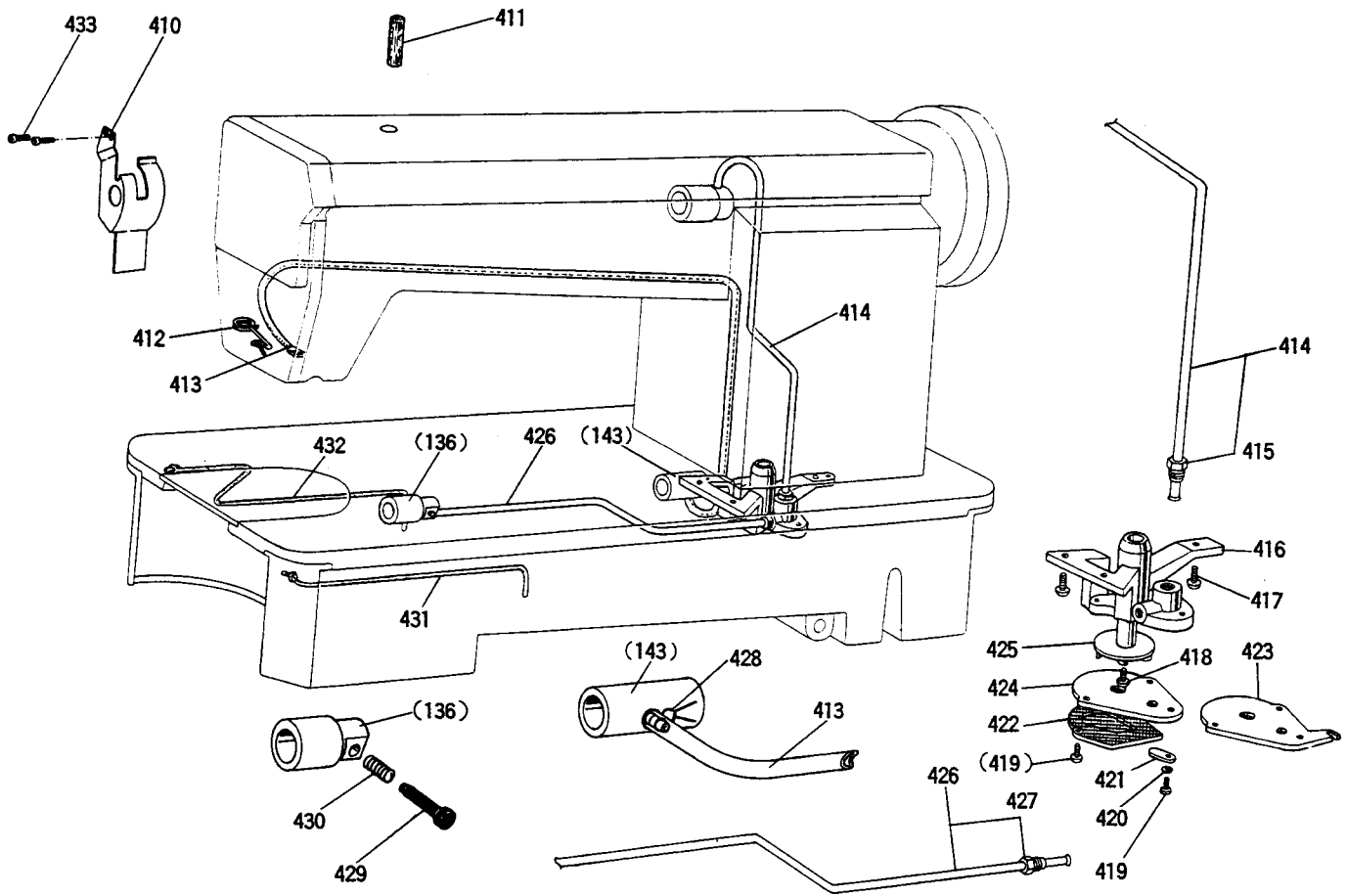




# H ワイパー機構 WIPER MECHANISM

Fig. No.	部品コード Parts. No.	部品名	Description	使用個数 Amt. Reg.			
				LIT	MTW	HTW	BIT
H380	MF01A0339	ソレノイドカバー	Solenoid cover for wiper mech.	1	1	1	-
H381	M90308037	SW-PW付平ネジ M3×6	Cross recessed head screw-SW-PW M3×6	10	10	10	-
H382	M91017098	ワイパーソレノイド	Thread wiper solenoid assy.	1	1	1	-
H383	M91019099	ハイ端接続子1-SD	Connecting 1-SD	1	1	1	-
H384	M97061095	コード組	Vinyl cap-tire cable assy. for thread wiper switch	1	1	1	-
H385	M90604050	座金6	Washer 6	2	2	2	-
H386	MF01A2601	ソレノイド取付板	Solenoid bracket	1	1	1	-
H387	MF40E2484	ワイパースイッチ	Thread wiper switch	1	1	1	-
H388	MF00A4572	コイルバネ	Coil spring	1	1	1	-
H389	M90910033	プランジャーピンネジ 9/64(40)×4	Plunger pin 9/64(40)×4	1	1	1	-
H390	M91504050	座金 φ20	Washer φ20	1	1	1	-
H391	M90510065	E型止輪10	Retaining ring-E type 10	1	1	1	-
H392	MF00A1417	ゴムクッション	Rubber cushion	1	1	1	-
H393	MF00A5910	リンク	Thread wiper connecting rod	1	1	1	-
H394	M90513065	E型止輪2.5	Retaining ring-E type 2.5	1	1	1	-
H395	M90454050	座金4	Washer 4	2	2	2	-
H396	MF01A0454	ワイパー軸	Wiper shaft	1	1	1	-
H397	MF00A0982	ワイパー軸台	Thread wiper bracket	1	1	1	-
H398	MF00A0980	ワイパー	Thread wiper	1	1	1	-
H399	M91106003	丸平ネジ 11/64(40)×20	Screw 11/64(40)×20	2	2	2	-
H400	M93003099	ピンターミナル(オス)	Terminal pin (Male)	2	2	2	-
H401	M94002099	コード押エ	Cord holder	1	1	1	-
H402	M91515002	平ネジ 15/64(28)×10	Screw 15/64(28)×10	2	2	2	-
H403	M90519065	E型止輪4	Retaining ring-E type 4	2	2	2	-
H404	M90806002	平ネジ 1/8(44)×6	Screw 1/8(44)×6	1	1	1	-
H917	MF01E0984	ワイパーソウチキミチ	Wiper device assy.	1	1	1	-

**J** 給油機構  
OIL LUBRICATION MECHANISM

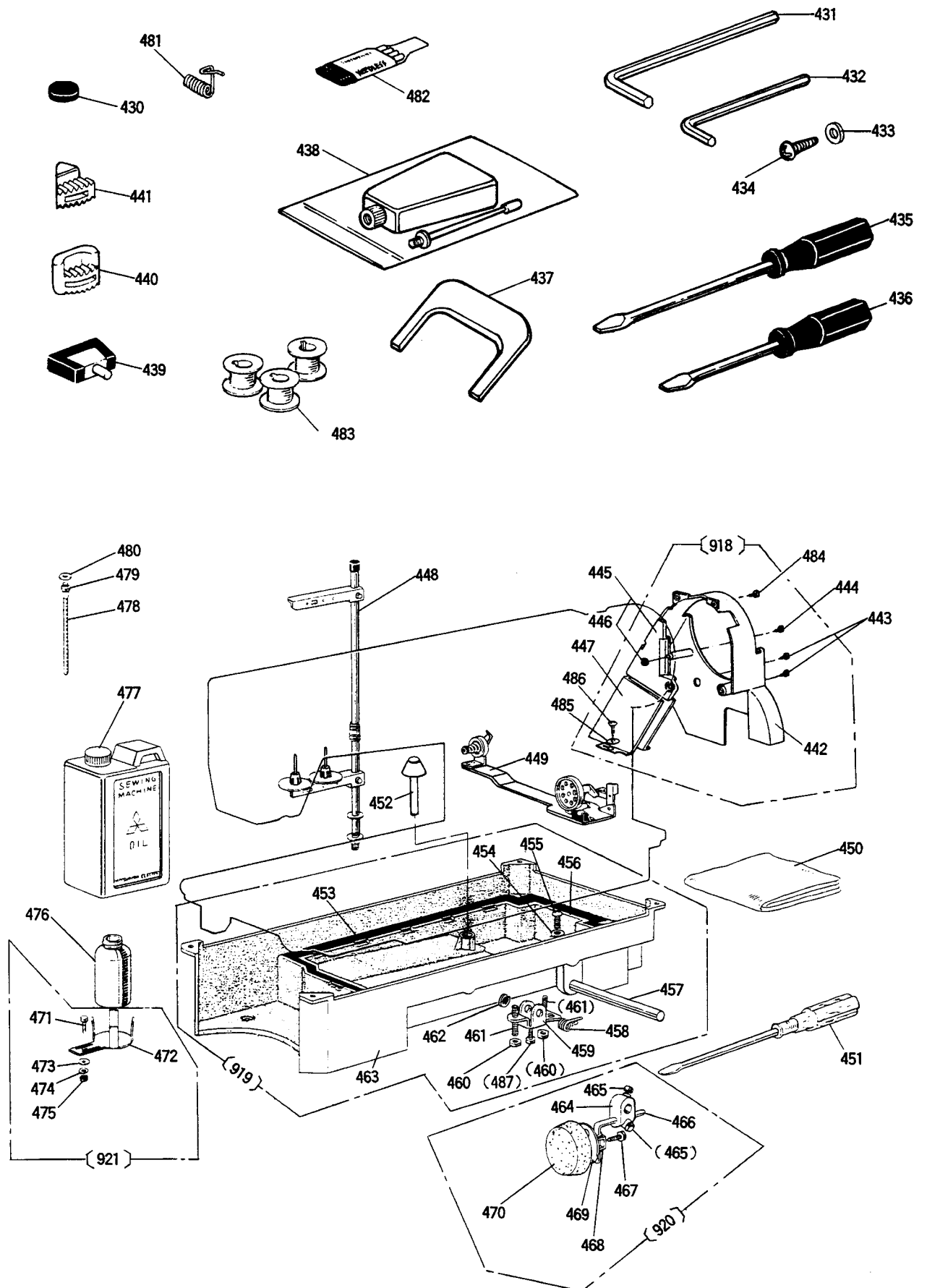


**J** 給油機構

**OIL LUBRICATION MECHANISM**

Fig. No.	部品コード Parts. No.	部品名	Description	使用個数 Amt. Reg.		
				LIT (個)	MIT (個)	BIT (個)
J410	MF01A0873	油防板組	Arm oil shield assy.	1	1	1
J411	MF01A2740	給油フェルトφ8×30	Oil felt φ8×30	1	1	1
J412	MF00A2780	濾材	Oil filter holder	1	1	1
J413	MF01E0731	還油パイプ組	Oil return tube assy.	1	1	1
J414	MF80A1688	給油パイプ組 (上)	Upper shaft oil tube assy.	1	1	1
J415	MF40A1750	パイプ接続ブッシュ 1/2(28)	Oil tube lock bushing 1/2(28)	1	1	1
J416	MF80A0783	ポンプケース	Oil pump	1	1	1
J417	M91103004	フラマイネジ 11/64(40)×13	Cross recessed and slotted screw 11/64(40)×13	3	3	3
J418	M90810002	平ネジ 1/8(44)×8	Screw 1/8(44)×8	1	1	1
J419	M90801004	フラマイネジ 1/8(44)×13	Cross recessed and slotted screw 1/8(44)×13	3	3	3
J420	M90304053	バネ座金3.5	Spring washer 3.5	1	1	1
J421	MF10A1742	油量調節弁	Oil adjusting plate	1	1	1
J422	MF10E0337	ポンプフィルタ	Oil pump filter	1	1	1
J423	MF00A2601	羽車カバー	Oil pump impeller cover	1	1	—
J424	MF10A0601	羽車カバー	Oil pump impeller cover	—	—	1
J425	MF10A0685	羽車	Oil pump impeller	1	1	1
J426	MF00E0142	給油パイプ組 (下)	Lower shaft oil tube assy.	1	1	1
J427	M92201047	パイプ接続ブッシュ 11/32(28)	Oil tube lock bushing 11/32(28)	1	1	1
J428	MF01A0378	還油パイプクリップ	Oil return tube clip	1	1	1
J429	M97084030	油量調節ネジ 15/64(28)	Oil adjusting screw 15/64(28)	1	1	1
J430	MF80A1572	コイルバネ	Coil spring	1	1	1
J431	MF00A0148	給油紐	Oil wick	1	1	1
J432	MF95A0148	給油紐	Oil wick	1	1	1
J433	M91106004	フラマイネジ 11/64(40)×8	Cross recessed and slotted screw 11/64(40)×8	2	2	2

K 付属品  
 ACCESSORIES



Ⓚ 付属品  
ACCESSORIES

Fig. No.	部品コード Parts. No.	部品名	Description	使用個数 Amt. Reg.		
				LIT ①	MIT ②	HIT ③
K430	M90701099	集塵マグネット	Magnet block	1	1	1
K431	MS02A2976	六角棒スリット3	Hexagon socket screw key 3	1	1	1
K432	MF90A2976	六角棒スリット2	Hexagon socket screw key 2	1	1	1
K433	M90550050	座金5	Washer for bobbin winder 5	2	2	2
K434	M90401041	丸木ネジ 4.5×20	Wood screw for bobbin winder 4.5×20	2	2	2
K435	MB02A0608	ネジ 回シ(中)	Screw driver (Size M)	1	1	1
K436	MB02A1608	ネジ 回シ(小)	Screw driver (Size S)	1	1	1
K437	MF01A0565	反射板調整具	Speed command disc adjusting plate	1	1	1
K438	MF60A0137	油差シ	Oil with oiler	1	1	1
K439	MF01E0418	頭部ピン組	Hinge with rubber cushion	2	2	2
K440	MF01A0419	防護ゴム(大)	Head cushion (large)	2	2	2
K441	MF01A1419	防護ゴム(小)	Head cushion (small)	2	2	2
K442	MF01A0776	ベルトカバー-1	Belt cover 1	1	1	1
K443	M91506004	ブランクネジ 15/64(28)×8	Cross recessed and slotted screw 15/64(28)×8	2	2	2
K444	M91075004	SW-PW付平頭ネジ M4×14	Cross recessed head screw-SW-PW M4×14	1	1	1
K445	MF01E1776	ベルトカバー-2組	Belt cover assy. 2	1	1	1
K446	M91003045	ナットM4	Nut M4	1	1	1
K447	MF01A1776	ベルトカバー-3	Belt cover 3	1	1	1
K448	MF40E0193	糸立て装置組	Thread stand assy.	1	1	1
K449	MF01E0193	糸巻装置組	Bobbin winder assy.	1	1	1
K449	MF03E1193	糸巻装置組	Bobbin winder assy.	-	-	-
K450	MF60A0734	頭部カバー	Head cover	1	1	1
K451	MF00A0608	ネジ 回シ(大)	Screw driver (Size L)	1	1	1
K452	MF70A0578	膝上げ押し棒	Knee lifter lifting rod	1	1	1
K453	MF20A3691	オイルパッキン1	Gasket for oil reservoir 1	1	1	1
K454	M97001052	シーリングワッシャー8	Seal washer 8	1	1	1
K455	M92002002	平ネジ 5/16(28)×10	Screw 5/16(28)×10	1	1	1
K456	MF20A2691	オイルパッキン2	Gasket for oil reservoir 2	1	1	1
K457	MF20A1723	膝上げ横軸	Knee lifter shaft	1	1	1
K458	MF20A1729	膝上げバネ	Knee lifter spring	1	1	1
K459	MF20A1724	膝上げカバー	Knee lifter cover	1	1	1
K460	M91501045	ナット 15/64(28)	Nut 15/64(28)	2	2	2
K461	M91520001	止ネジ 15/64(28)×27	Set screw 15/64(28)×27	2	2	2
K462	M90515065	E型止輪9	Retaining ring-E type 9	1	1	1
K463	MF01A0139	油槽	Oil reservoir	1	1	1
K463	MF01A1139	油槽	Oil reservoir	-	-	-
K464	MF40A0784	膝当てジョイント	Knee lifter coupling joint	1	1	1
K465	M92001031	四角ネジ 5/16(18)×13	Bolt 5/16(18)×13	2	2	2
K466	MF01A0728	膝上げ縦軸	Knee lifter shaft	1	1	1
K467	M91510022	ネジ 5/16(28)×8	Bolt 5/16(28)×8	1	1	1
K468	MF40A0477	膝当てストッパー	Knee lifter plate stopper	1	1	1
K469	MF40A0737	膝当て	Knee lifter plate	1	1	1
K470	MF40A1737	膝当てカバー	Knee lifter cover	1	1	1
K471	M91551022	ネジ M6×12	Bolt M6×12	-	-	-
K472	MF20A0131	油受け台	Oil bottle holder	-	-	-
K473	M90702050	座金φ21	Washer φ21	-	-	-
K474	M90104053	バネ座金6	Spring washer 6	-	-	-
K475	M91571045	ナットM6	Nut M6	-	-	-
K476	MF20A0130	油ビン	Oil bottle	-	-	-
K477	MF10E0149	オイルタンク	Oil tank	1	1	1
K478	MF36A0731	パイプ	Drainage tube	-	-	-
K479	M92001047	特殊ネジ 5/16(28)×10	Stud screw for oil drainage 5/16(28)×10	-	-	-
K480	MF10A4691	ガスケット	Gasket	-	-	-
K481	MF10A0187	糸取りバネ	Thread take-up spring	1	1	-
K481	MF12B0187	糸取りバネ	Thread take-up spring	-	-	1
K482	MF21D0128	ミシン針DA×1#11	Needle DA×1#11	4	-	-
K482	MF30E0128	針セット	Needle Set	-	1	-
K482	MF31E0128	針セット	Needle Set	-	-	1
K483	MF41D0123	ボビン	Bobbin	3	-	-
K483	MF00A0123	ボビン	Bobbin	-	3	-
K483	MF25B0123	ボビン	Bobbin	-	-	3
K484	M91109004	PW付ブランクネジ 11/64(40)×8	Cross recessed and slotted screw-PW 11/64(40)×8	2	2	2
K485	M90511050	座金5	Washer for bolt cover 5	2	2	2
K486	M90401041	丸木ネジ 4.5×20	Wood screw for belt cover 4.5×20	2	2	2
K487	M91502002	ヒラネジ 15/64(28)×12	Screw 15/64(28)×12	1	1	1
K918	MF01E0776	ベルトカバー組	Belt cover assy.	1	1	1
K919	MF90E0139	油槽組	Oil reservoir assy.	1	1	-
K919	MF70E0139	油槽組	Oil reservoir assy.	-	-	1
K920	MF01E0727	膝当て組	Knee lifter assy.	1	1	1
K921	MF03E0131	油受け台セット	Oil bottle holder assy.	-	-	1